

We invite applications for participation in the junior scientist Andrejewski Days

100 years of General Relativity

which will be held from March 22nd to April 4th, 2015 in the Begegnungsstätte Schloss Gollwitz, Brandenburg an der Havel, Germany.

Who can apply?

- ◆ Young researchers such as postdocs, doctoral and masters students
- ◆ with a background in General Relativity and in PDE Theory, Differential Geometry, or Classical Mechanics
- ◆ and with interest in interdisciplinary exchange between mathematicians and physicists.

Program

Interdisciplinary mini lecture series with exercise sessions by

Sergio Dain, Universidad Nacional de Córdoba, Argentina

Different proofs of the positive mass theorem

Marc Mars, Universidad de Salamanca, Spain

Rigidity results for stationary spacetimes

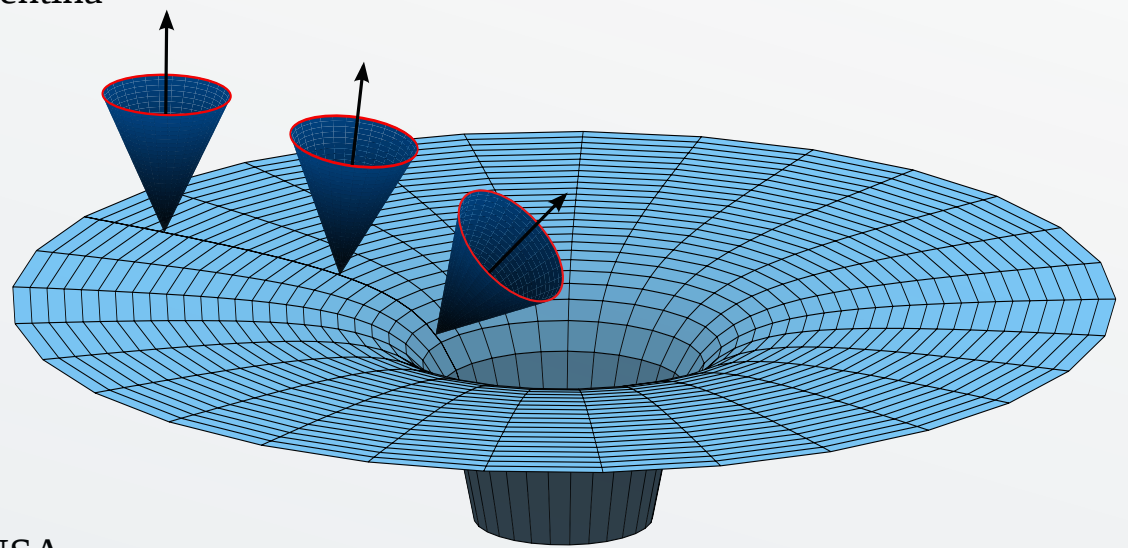
Niall Ó Murchadha,

University College Cork, Ireland

Hamiltonian systems, the initial value system, and conserved quantities in General Relativity

Daniel Pollack, University of Washington, Seattle, USA

Initial data for the Cauchy Problem in General Relativity



Contributed talks by participants of the workshop with individual feedback by lecturers and other participants

Evening lectures with a broader scope

Application

Deadline is December 7th, 2014. To apply, refer to www.math.uni-potsdam.de/grworkshop.

Costs and funding

There is no registration fee, room and board amount to ca. 600 € per participant. Limited funding is available to support travel and accommodation of individual participants. To apply for funding, see the application questionnaire on www.math.uni-potsdam.de/grworkshop. Please do not hesitate to apply for funding.

Organizers

Carla Cederbaum, Eberhard Karls Universität Tübingen and Jan Metzger, Universität Potsdam.

Contact and further Information

grworkshop@math.uni-potsdam.de

www.math.uni-potsdam.de/grworkshop



Walter und Eva Andrejewski-Stiftung



EBERHARD KARLS
UNIVERSITÄT
TÜBINGEN

